



CRI > 90

SUPERLOOP HC 70 SPR

3000 K

LED FLEX 20.5W / 2786lm / 500mA
LED FLEX 30.3W / 3510lm / 700mA

6 321 207 93 ◊
◊ = B / W / FG / FBR

INCL.3 x CABLE SUSP. SINGLE AUTO. 9'
INCL.1 x CABLE 3 x 18 AWG

5.1 IP20 DAMP

FULL INFO TECHNICAL CHAPTER

OPTIONS

INSTALLATION

COVERPLATE R 103

6 204 00 103 ◊
◊ = B / W

COVERPLATE S 104

6 204 99 104 ◊
◊ = B / W

SUPERLOOP POWERBOX L 500mA DIM1

6 321 55 205 ED1 ◊
◊ = B / W
120-277V / 60Hz IP20

SUPERLOOP POWERBOX L 500mA DIM8 ◊

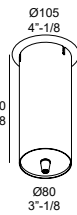
6 321 55 205 ED8 ◊
◊ = B / W
120V / 60Hz IP20

SUPERLOOP POWERBOX L 700mA DIM1 ◊

6 321 55 207 ED1 ◊
◊ = B / W
120-277V / 60Hz IP20

SUPERLOOP POWERBOX L 700mA DIM8 ◊

6 321 55 207 ED8 ◊
◊ = B / W
120V / 60Hz IP20



CONTROL GEAR

LED POWER SUPPLY 500mA-DC / 25W / 120V DIM1

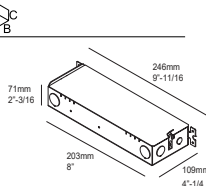
6 300 45 ED1
120V / 60Hz IP20

LED POWER SUPPLY 700mA-DC / 38W / 120V DIM1

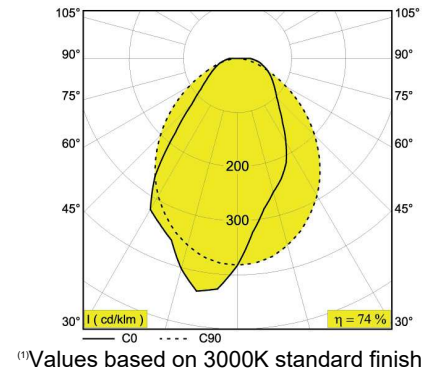
6 300 53 ED1
120V / 60Hz IP20

LED POWER SUPPLY 700mA-DC / 35W / 120V DIM13

6 300 81 ED13
120V / 60Hz IP20



DIM1: DIMMING BY 1-10V
DIM8: DIMMING BY MAINS DIMMING
DIM13: DIMMING BY LUTRON - HI LUME 1% ECO SYSTEM



Application

Ceiling surface suspended
For indoor use only

Color Finish

B - Black
W - White
FG - Flemish Gold
FBR - Flemish Bronze

Light Source

LED Flex 20,5-30,3W included

Delivered Lumens

2610lm at 3000K⁽¹⁾

Power Supply

Electronic power supply 500-700mA, not included.

Specification features

Surface treated aluminum housing
Suitable for dry or damp locations
Protected against solid objects greater than 12mm | 1/2" → IP20
PC-SPR provides 40% Up light and 60% Down light
Weight: 5,1lbs 2,3kg

Dimensions

Height: 50mm = 2"
Diameter: Ø695mm = 27"-3/8

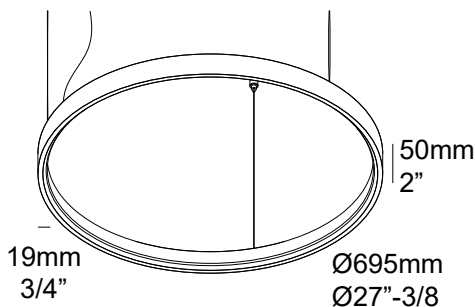
PROJECT INFO

Date _____

Client _____

Project Name _____

Type/Quantity _____





CRI > 90

SUPERLOOP HC 90 SPR

3000 K

LED FLEX 28.9W / 3845lm / 700mA
LED FLEX 38.7W / 4570lm / 900mA

6 321 209 93 ◊
◊ = B / W / FG / FBR

INCL.3 x CABLE SUSP. SINGLE AUTO. 9'
INCL.1 x CABLE 3 x 18 AWG

6.6 IP20 DAMP

FULL INFO TECHNICAL CHAPTER

OPTIONS

INSTALLATION

COVERPLATE R 103

6 204 00 103 ◊

◊ = B / W

COVERPLATE S 104

6 204 99 104 ◊

◊ = B / W

SUPERLOOP POWERBOX L 700mA DIM1 ◊

6 321 55 207 ED1 ◊

◊ = B / W

120-277V / 60Hz IP20

SUPERLOOP POWERBOX L 700mA DIM8 ◊

6 321 55 207 ED8 ◊

◊ = B / W

120V / 60Hz IP20

SUPERLOOP POWERBOX H 900mA DIM1 ◊

6 321 55 309 ED1 ◊

◊ = B / W

120-277V / 60Hz IP20

LED POWER SUPPLY

700mA-DC / 38W / 120V DIM1

6 300 53 ED1

120V / 60Hz IP20

LED POWER SUPPLY

700mA-DC / 35W / 120V DIM13

6 300 81 ED1

120V / 60Hz IP20

LED POWER SUPPLY

900mA-DC / 40W / 120V DIM13

6 300 91 ED13

120V / 60Hz IP20

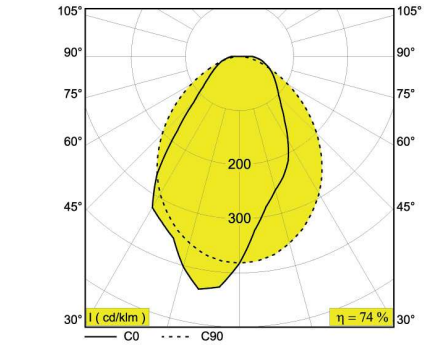
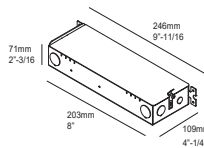
LED POWER SUPPLY

900mA-DC / 50W / 120V DIM1

6 300 94 ED1

120V / 60Hz IP20

DIM1: DIMMING BY 1-10V
DIM8: DIMMING BY MAINS DIMMING
DIM13: DIMMING BY LUTRON - HI LUME 1% ECO SYSTEM



⁽¹⁾Values based on 3000K standard finish

Application

Ceiling surface suspended
For indoor use only

Color Finish

B - Black
W - White
FG - Flemisch Gold
FBR - Flemisch Bronze

Light Source

LED Flex 28,9-39,7W included

Delivered Lumens

3398lm at 3000K⁽¹⁾

Power Supply

Electronic power supply 700-900mA, not included.

Specification features

Surface treated aluminum housing
Suitable for dry or damp locations
Protected against solid objects greater than 12mm | 1/2" → IP20
PC-SPR provides 40% Up light and 60% Down light
Weight: 6,6lbs 3kg

Dimensions

Height: 50mm = 2"
Diameter: Ø924mm = 36"-3/8

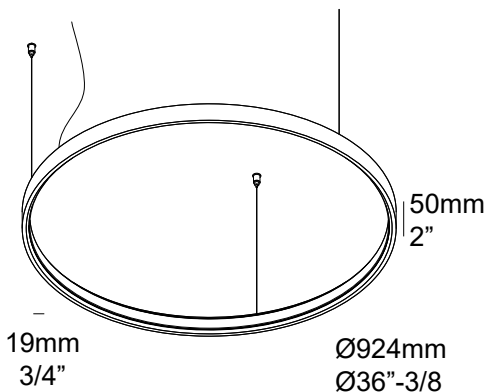
PROJECT INFO

Date _____

Client _____

Project Name _____

Type/Quantity _____





CRI > 90

SUPERLOOP HC 120 SPR

3000 K

LED FLEX 37.2W / 4951lm / 900mA
LED FLEX 51.9W / 6027lm / 1200mA

6 321 212 93 ◇

◇ = B / W / FG / FBR

INCL.3 x CABLE SUSP. SINGLE AUTO. 9'
INCL.1 x CABLE 3 x 18 AWG

8.6 IP20 DAMP

FULL INFO TECHNICAL CHAPTER

OPTIONS

INSTALLATION



COVERPLATE R 103

6 204 00 103 ◇

◇ = B / W

COVERPLATE S 104

6 204 99 104 ◇

◇ = B / W

SUPERLOOP POWERBOX H 900mA DIM1 ◇

6 321 55 309 ED1 ◇

◇ = B / W

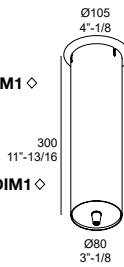
120-277V / 60Hz IP20

SUPERLOOP POWERBOX H 1200mA DIM1 ◇

6 321 55 312 ED1 ◇

◇ = B / W

120-277V / 60Hz IP20



CONTROL GEAR

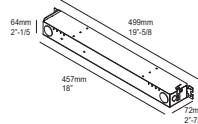


LED POWER SUPPLY

900mA-DC / 50W / 120V DIM1

6 300 94 ED1

120V / 60Hz IP20



LED POWER SUPPLY

900mA-DC / 60W / 120V DIM13

6 300 36 ED13

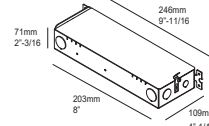
120V / 60Hz IP20

LED POWER SUPPLY

1200mA-DC / 55W / 120V DIM1

6 300 95 ED1

120V / 60Hz IP20



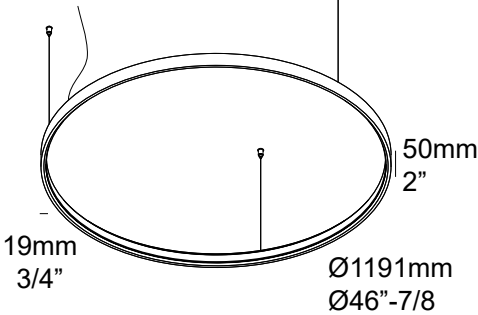
LED POWER SUPPLY

1200mA-DC / 60W / 120V DIM13

6 300 36 ED13

120V / 60Hz IP20

DIM1: DIMMING BY 1-10V
DIM13: DIMMING BY LUTRON - HI LUME 1% ECO SYSTEM



Application

Ceiling surface suspended
For indoor use only

Color Finish

B - Black
W - White
FG - Flemisch Gold
FB - Flemisch Bronze

Light Source

LED Flex 37,2 - 51,9W included

Delivered Lumens

4481lm at 3000K⁽¹⁾

Power Supply

Electronic power supply 900mA, not included.

Specification features

Surface treated aluminum housing
Suitable for dry or damp locations
Protected against solid objects greater than 12mm | 1/2" ➔ IP20
PC-SPR provides 40% Up light and 60% Down light
Weight: 8,6lbs 3,9kg

Dimensions

Height: 50mm = 2"
Diameter: Ø1191mm = 46"-7/8

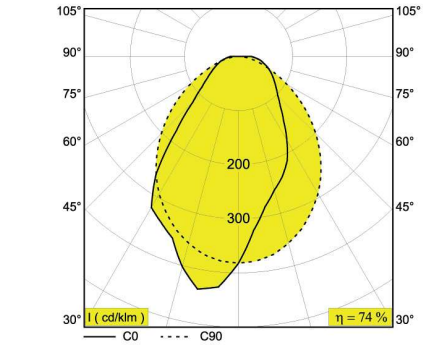
PROJECT INFO

Date _____

Client _____

Project Name _____

Type/Quantity _____



⁽¹⁾Values based on 3000K standard finish



CRI > 90

SUPERLOOP HC 170 SPR

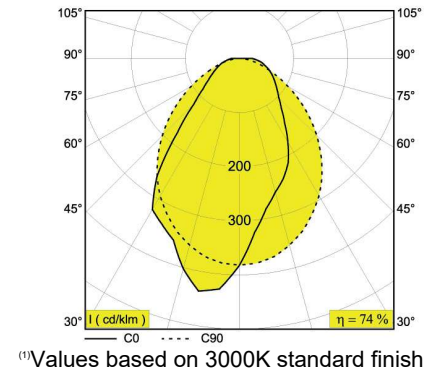
3000 K

LED FLEX 51.6W / 6721lm / 1200mA
LED FLEX 73.5W / 8544lm / 1700mA

6 321 217 93 ◊
◊ = B / W / FG / FBR

INCL. 3 x CABLE SUSP. SINGLE AUTO. 9'
INCL. 1 x CABLE 3 x 18 AWG

12.1 IP20 DAMP



FULL INFO TECHNICAL CHAPTER

OPTIONS

INSTALLATION

COVERPLATE R 103

6 204 00 103 ◊
◊ = B / W

COVERPLATE S 104

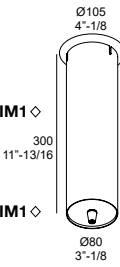
6 204 99 104 ◊
◊ = B / W

SUPERLOOP POWERBOX H 1200mA DIM1

6 321 55 312 ED1 ◊
◊ = B / W
120-277V / 60Hz IP20

SUPERLOOP POWERBOX H 1700mA DIM1

6 321 55 317 ED1 ◊
◊ = B / W
120-277V / 60Hz IP20



CONTROL GEAR



LED POWER SUPPLY 900mA-DC / 60W / 120V DIM13

6 300 36 ED13
120V / 60Hz IP20

LED POWER SUPPLY 1700mA-DC / 55W / 120V DIM1

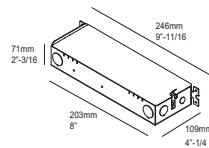
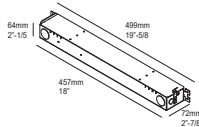
6 300 79 ED1
120V / 60Hz IP20

LED POWER SUPPLY 1700mA-DC / 75W / 120V DIM13

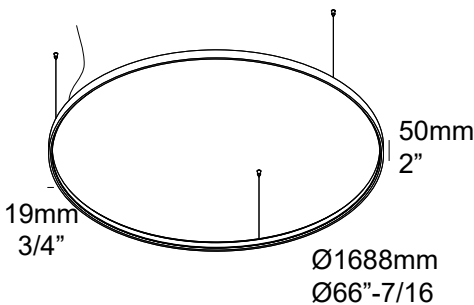
6 300 92 ED13
120V / 60Hz IP20

LED POWER SUPPLY 1200mA-DC / 55W / 120V DIM1

6 300 95 ED1
120V / 60Hz IP20



DIM1: DIMMING BY 1-10V
DIM13: DIMMING BY LUTRON - HI LUME 1% ECO SYSTEM



Application

Ceiling surface suspended
For indoor use only

Color Finish

B - Black
W - White
FG - Flemisch Gold
FBR - Flemisch Bronze

Light Source

LED Flex 51,6 - 73,5W included

Delivered Lumens

6352lm at 3000K⁽¹⁾

Power Supply

Electronic power supply 1200-1700mA, not included.

Specification features

Surface treated aluminum housing
Suitable for dry or damp locations
Protected against solid objects greater than 12mm | 1/2" → IP20
PC-SPR provides 40% Up light and 60% Down light
Weight: 12,1lbs 5,5Kg

Dimensions

Height: 50mm = 2"
Diameter: Ø1688mm = 66"-7/16

PROJECT INFO

Date _____

Client _____

Project Name _____

Type/Quantity _____